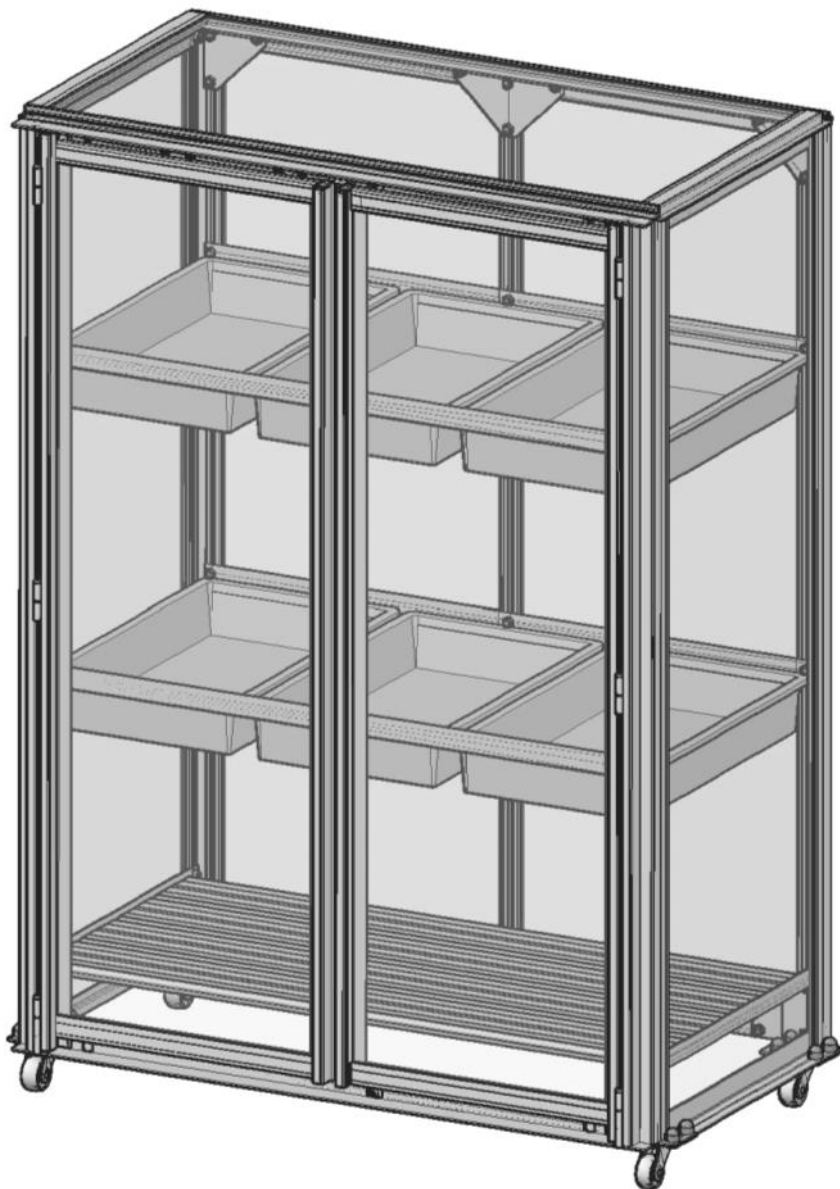


CB Series Greenhouse

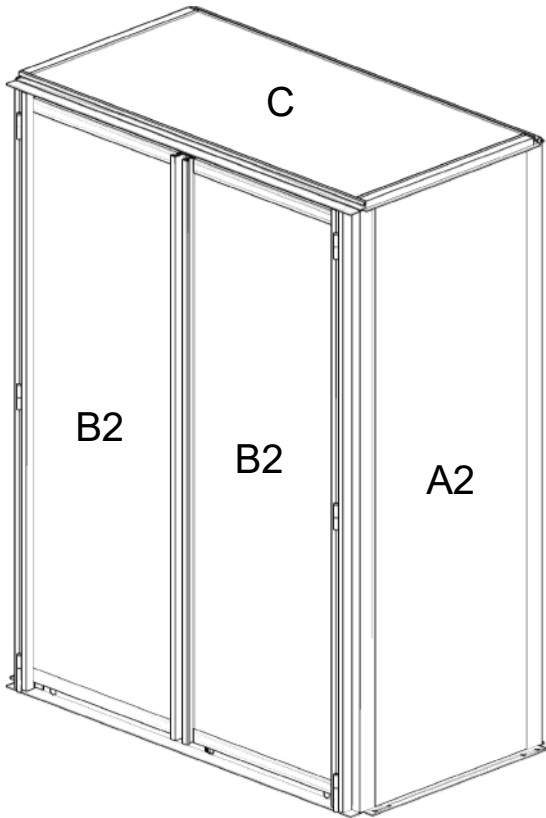
Assembly instructions



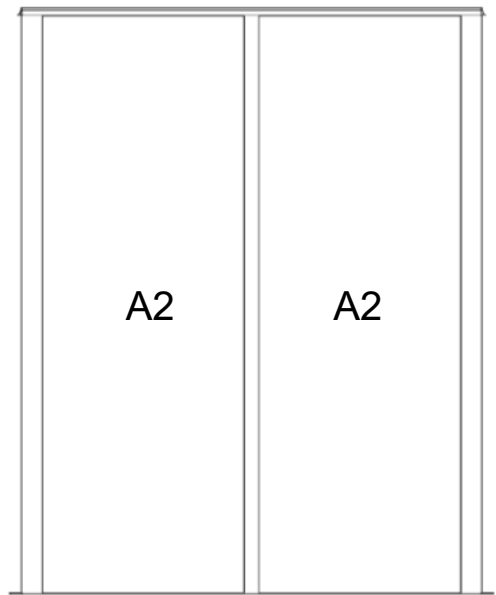
Model CB213

Size: 766x415x1011MM

Glass






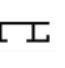





CB213

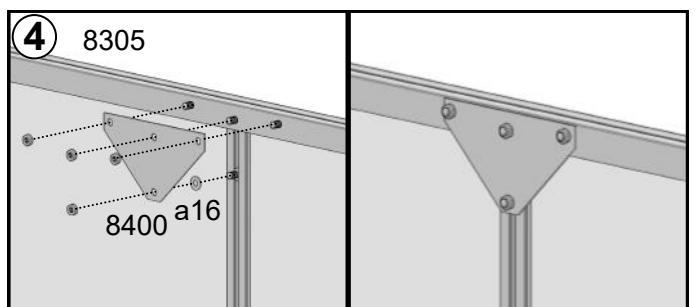
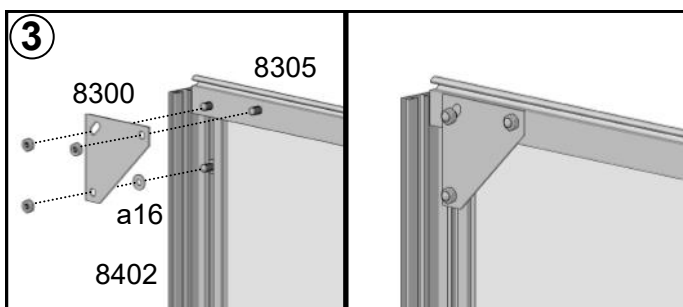
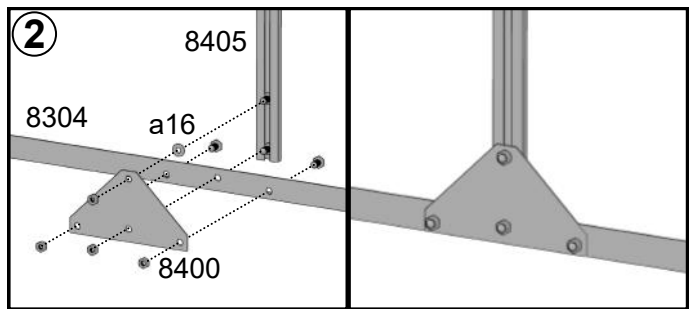
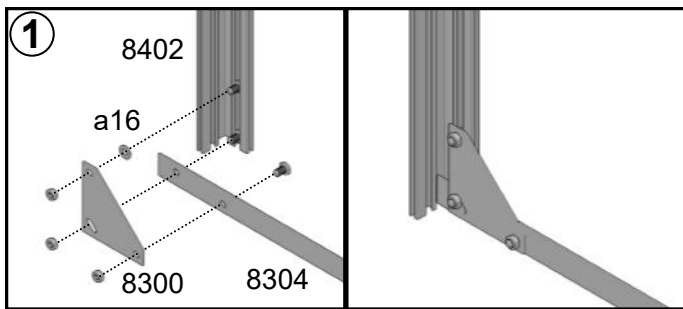
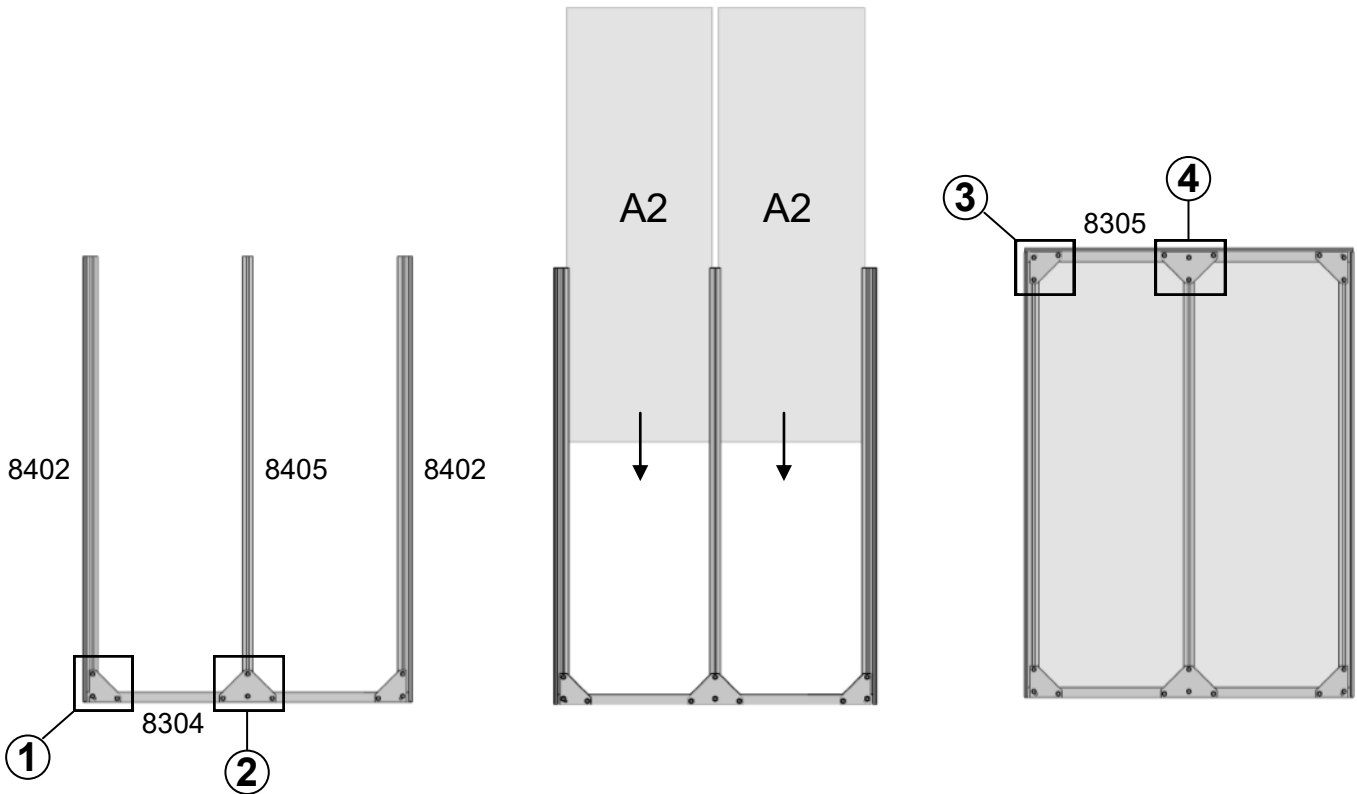


CB213

#	Size	CB213
A2	335 x 998	4
B2	315 x 934	2
C	365 x 705	1

Rear

									
#	8402	8304	8305	8405	8300	8400	a1	a2	a16
Size	1000	736	736	1000	-	-	M6x10	M6	-
QTY	2	1	1	1	4	2	20	20	6

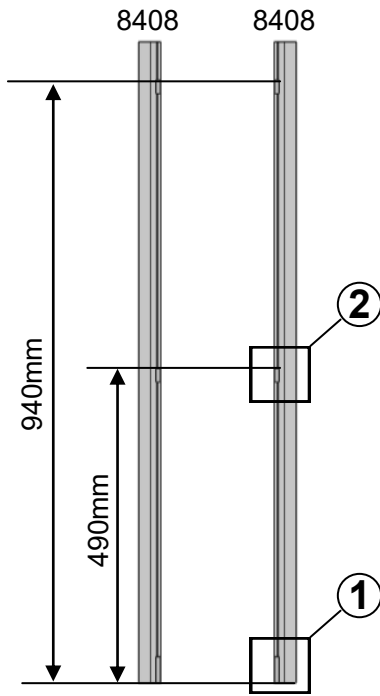


★ Washer a16 balances the connecting plate #8300 and #8400

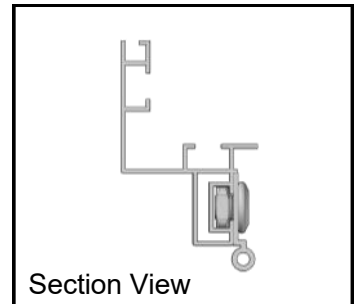
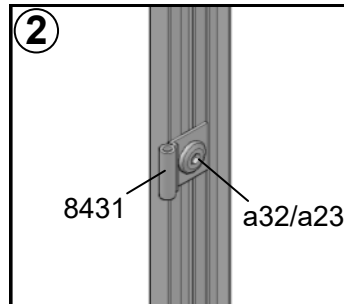
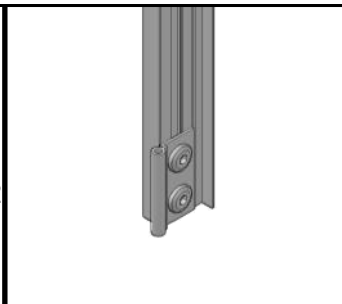
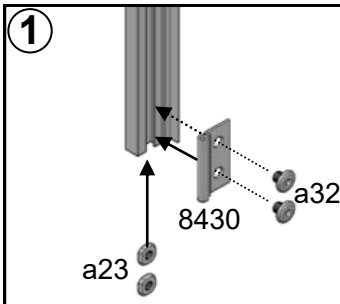
Front

#	8408	8315	8316	8300	8430	8431	m11	a1	a2
Size	1000	736	736	-	40	20	-	M6x10	M6
QTY	2	1	1	4	2	4	2	12	12

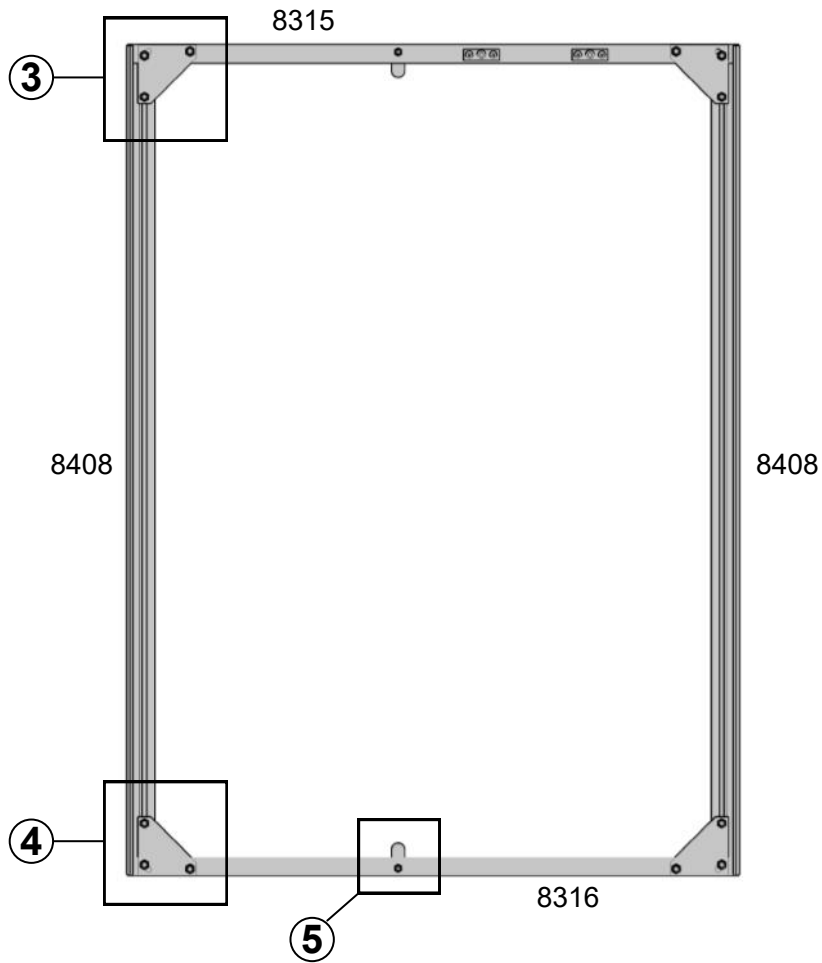
#	a32	a23	a7	a10	a16	Hex key
Size	M6x6	M6	M4x8	M4	-	-
QTY	8	8	2	2	6	1



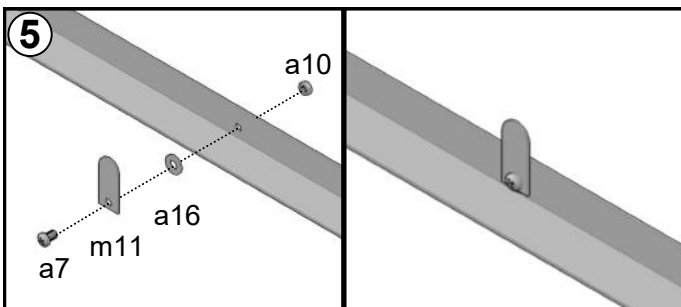
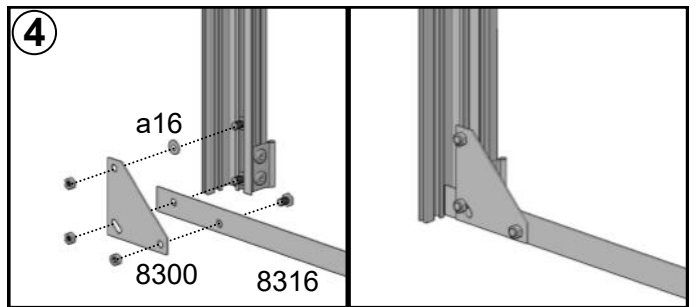
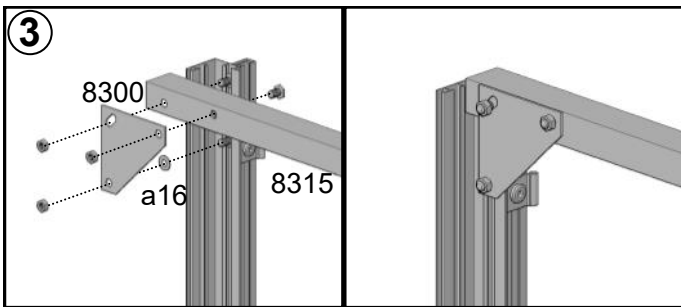
CB213



Front



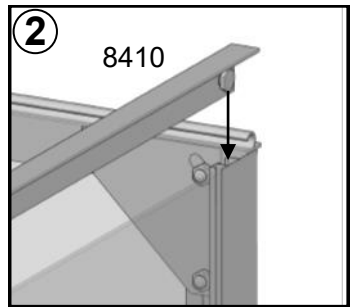
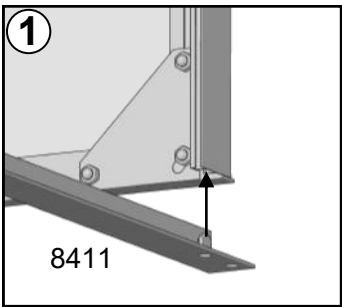
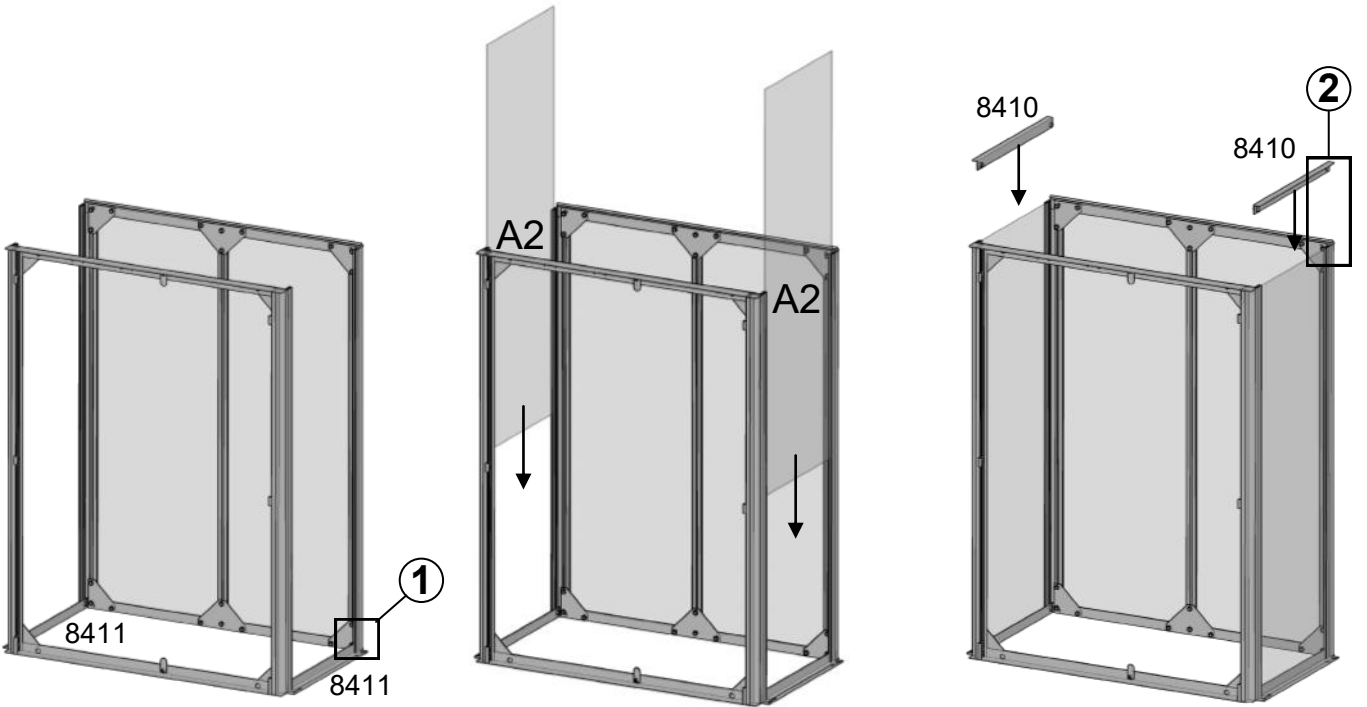
★ Washer a16 balances the connecting plate #8300



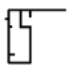

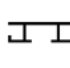


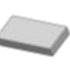


★★★Please Note:
 Don't forget the a16 before installing the m11 on the top and bottom frames.
 The role of a16 is very important, which enables the m11 to better fit the magnet to lock the door tightly.

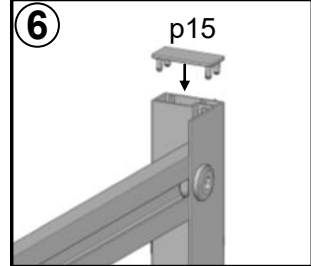
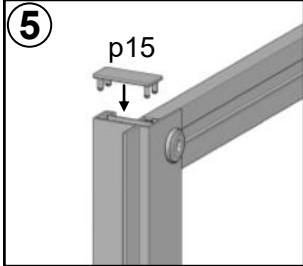
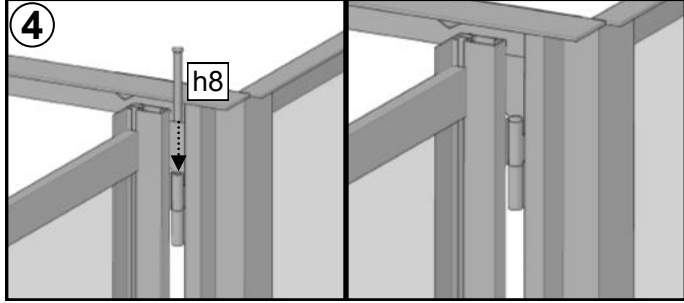
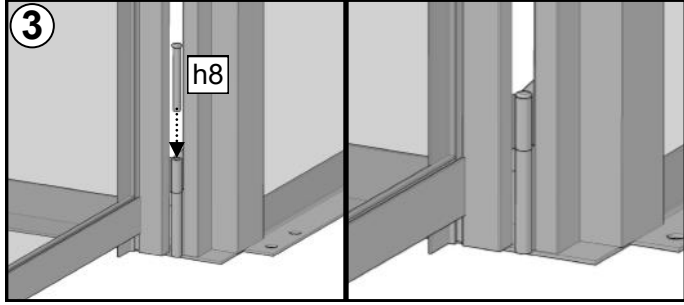
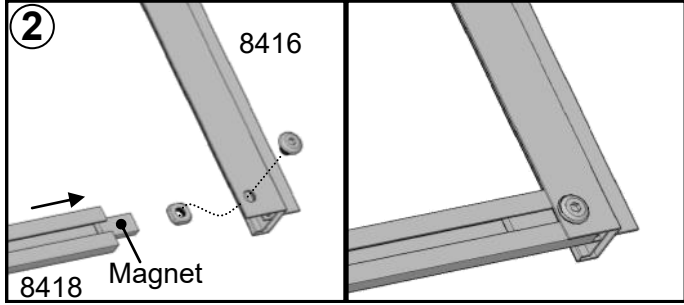
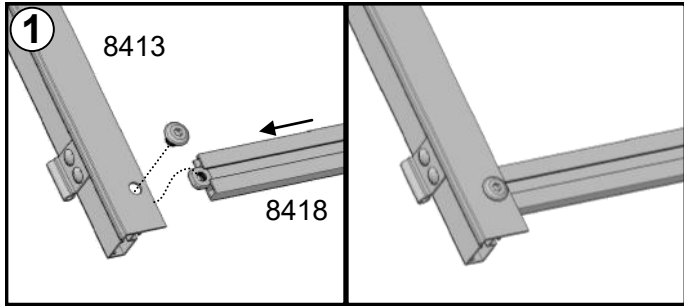
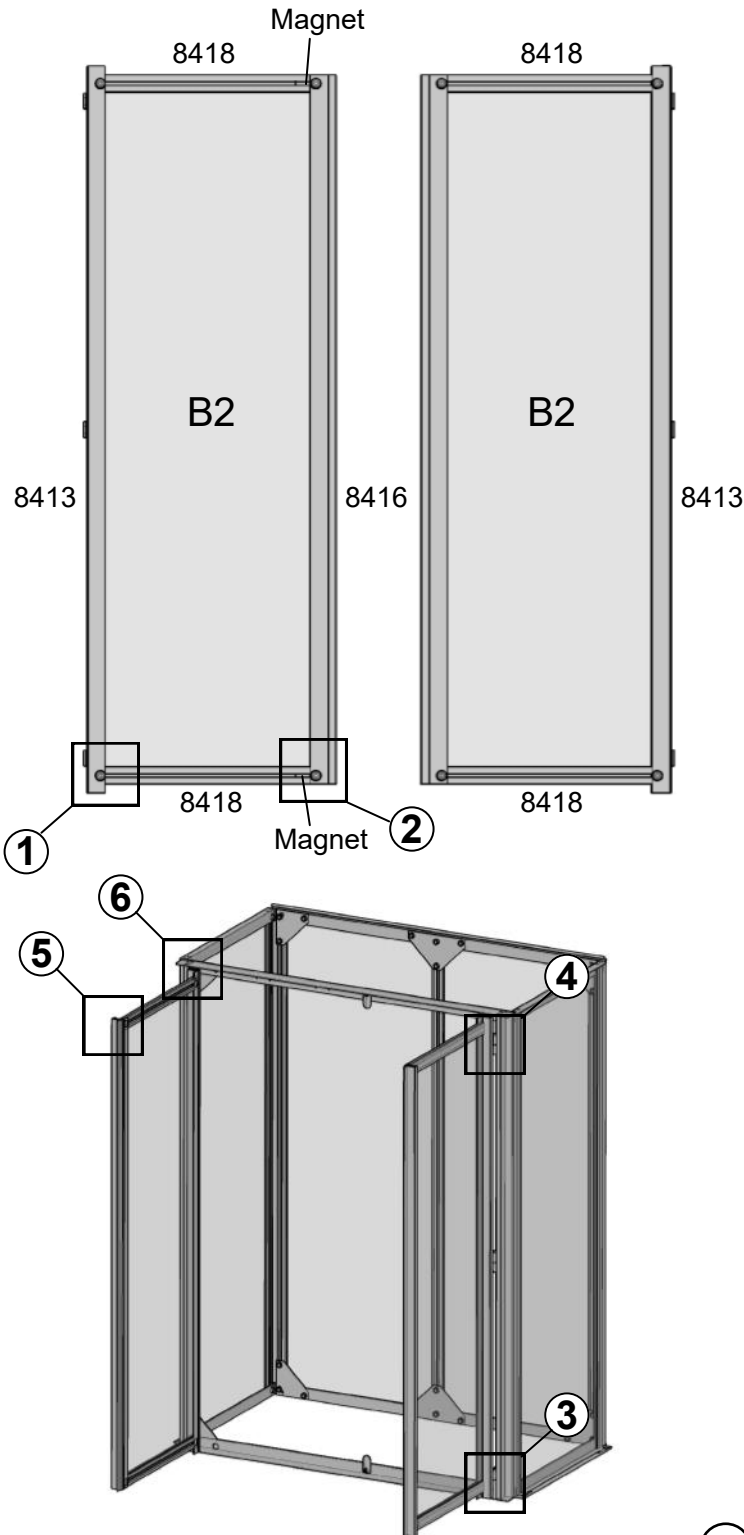
Side

#	8410	8411	a1	a2
Size	372	372	M6x10	M6
QTY	2	2	8	8



Door

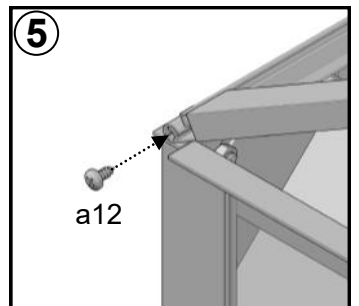
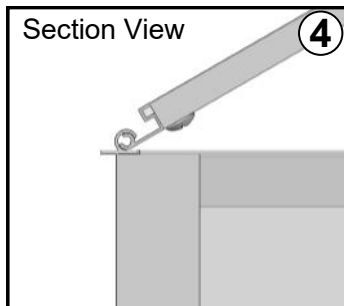
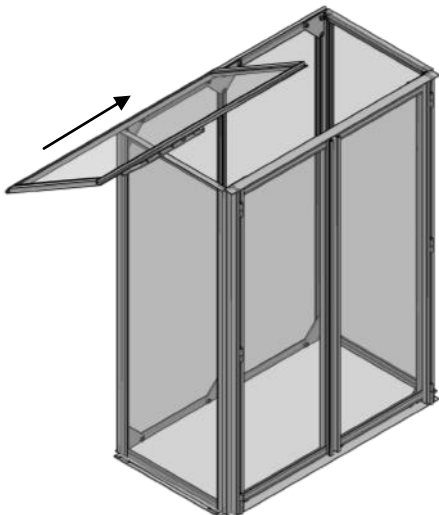
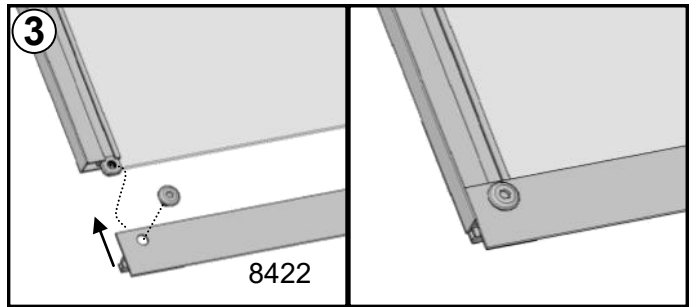
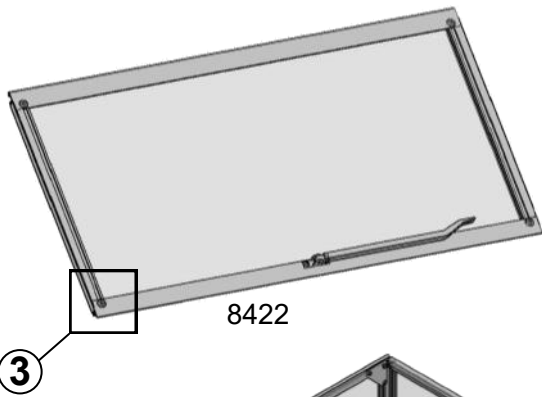
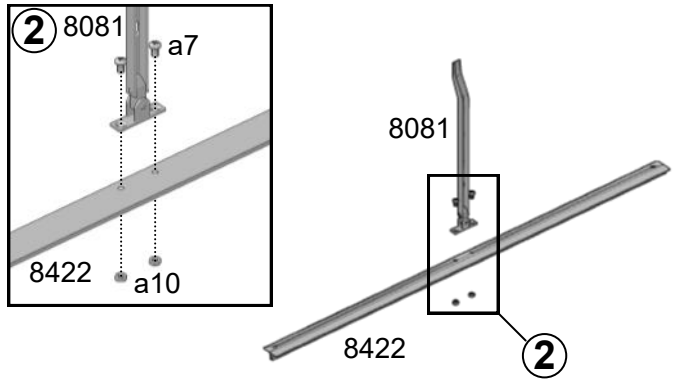
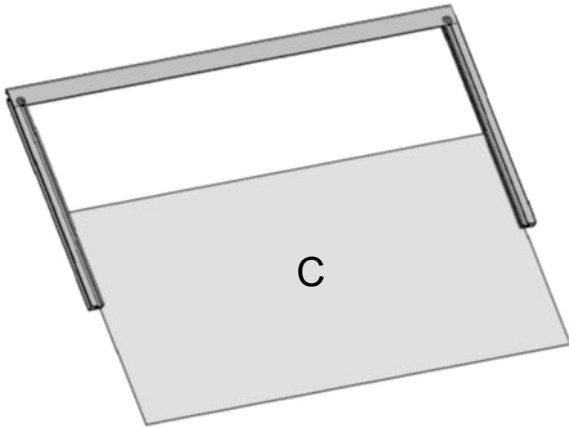
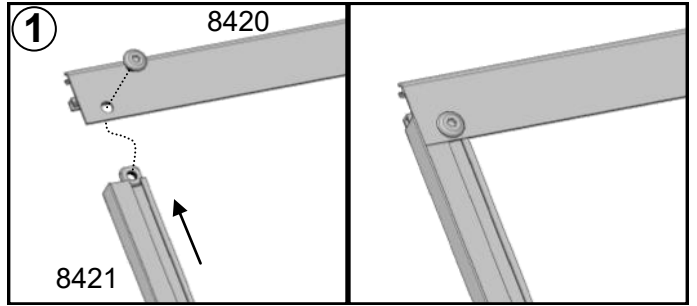
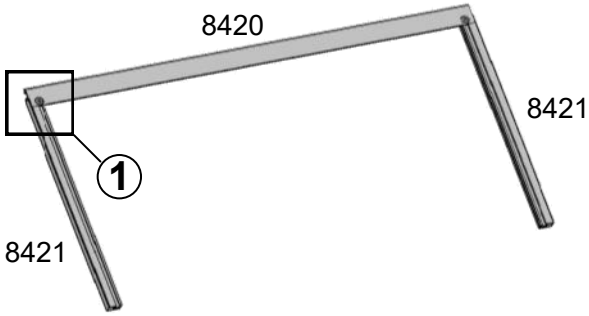
								
#	8413	8416	8418	a32	a23	Magnet	h8	p15
Size	994	970	309	M6x6	M6	-	-	-
QTY	2	2	4	8	8	2	6	4







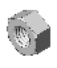


7

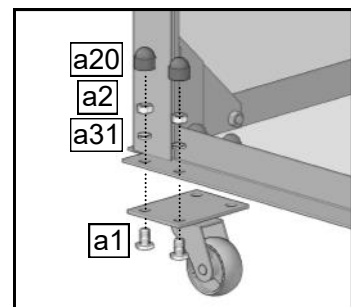
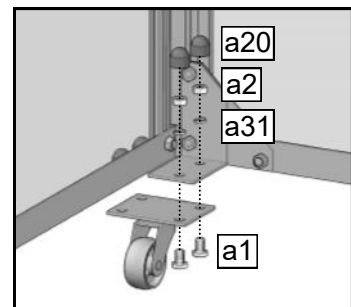
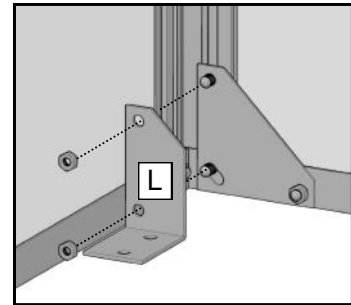
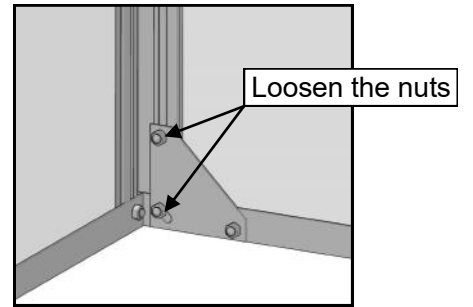
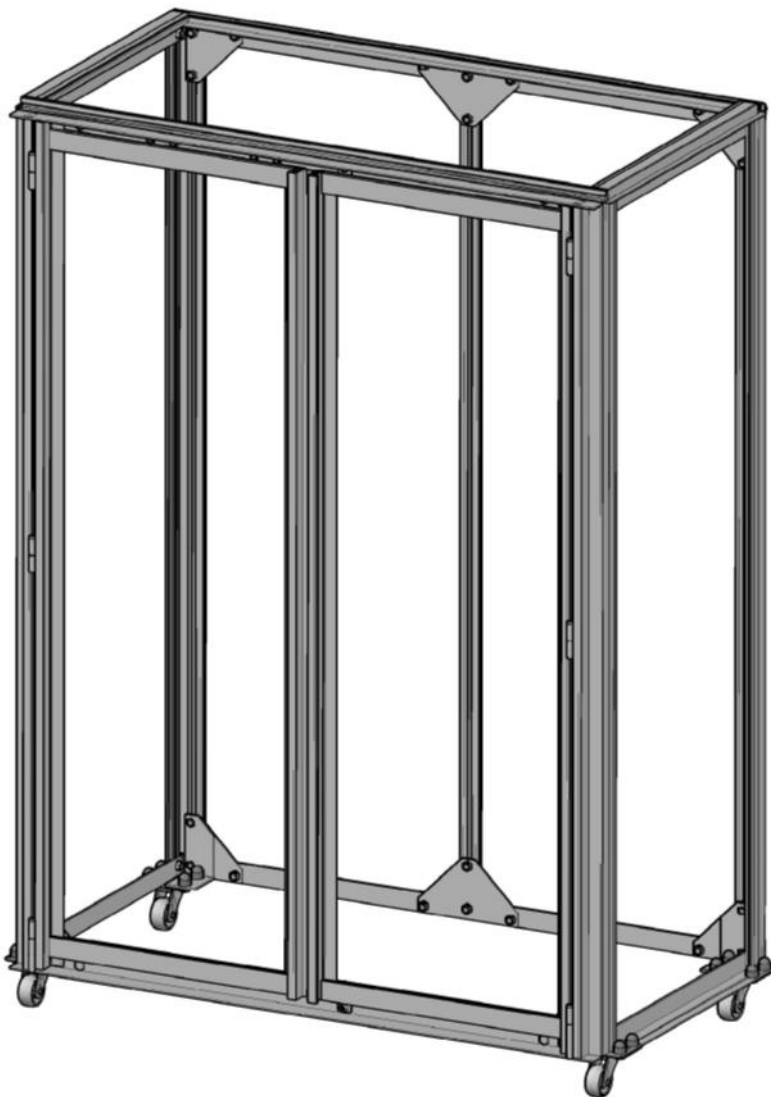
Vent

#	8420	8421	8422	8081	a32	a23	a12	a7	a10
Size	737	358	737	260	M6x6	M6	Φ4.2X9.5	M4x8	M4
QTY	1	2	1	1	4	4	2	2	2

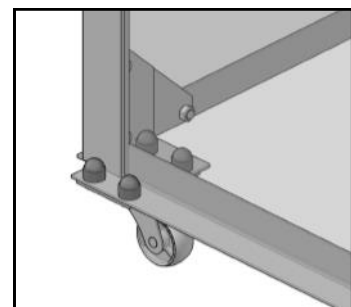


Wheel

							
#	L	R		a1	a2	a31	a20
Size	-	-	-	M6x10	M6	-	-
QTY	2	2	4	16	16	16	16

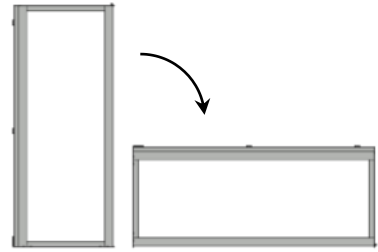


Spring washer a31 prevents nut from loosening

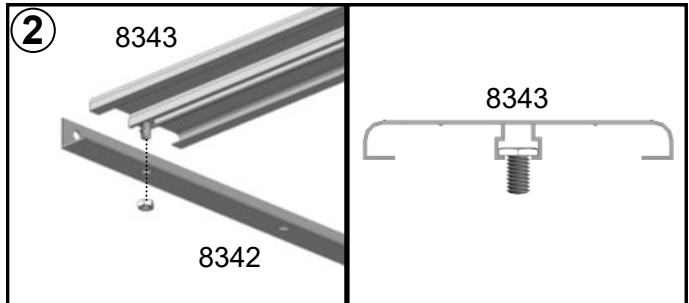
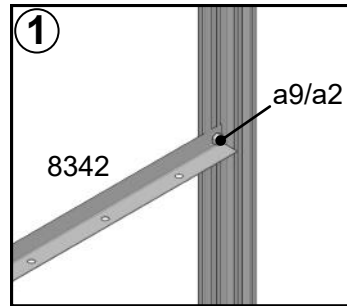
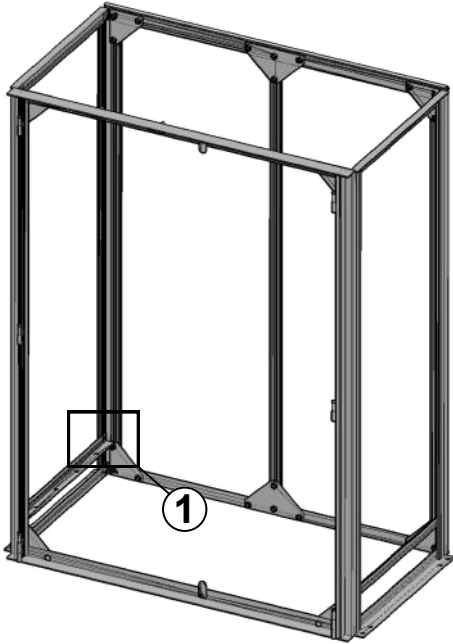


Staging





#	8342	8343	a1	a2	a9
Size	362	720	M6x10	M6	M6x10
QTY	2	4	8	12	4

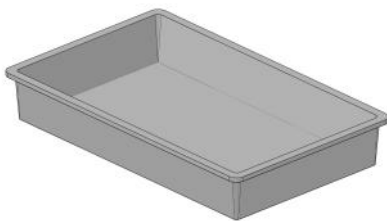
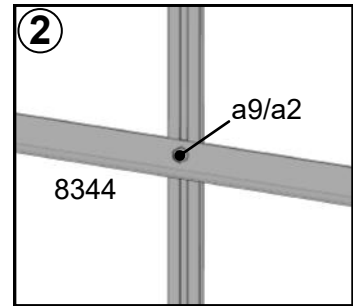
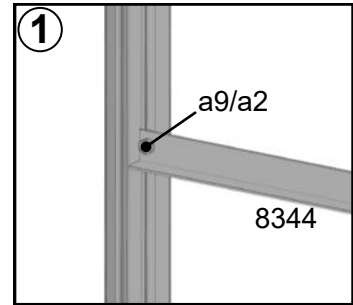
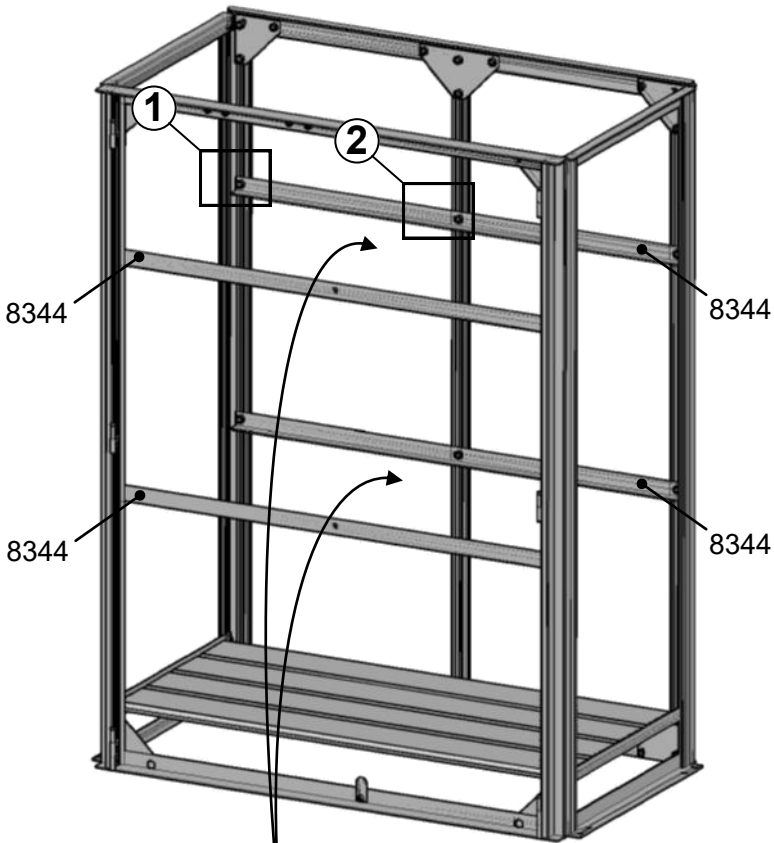


Lay down the cabinet to assemble staging, will make assembly easier.



Seed tray

				
#		8344	a2	a9
Size		710	M6	M6x10
QTY	6	4	10	10



Seed trays are put on each floor

